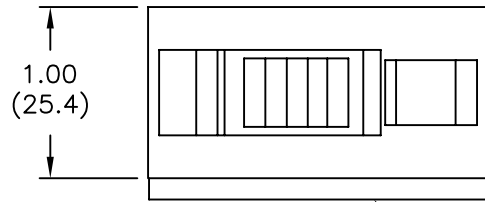
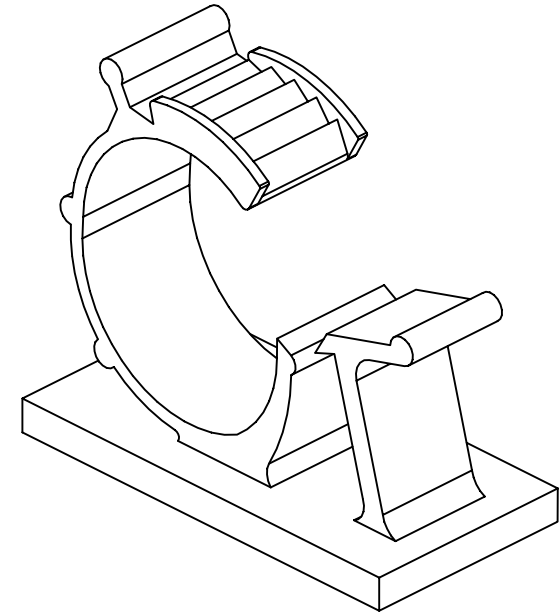
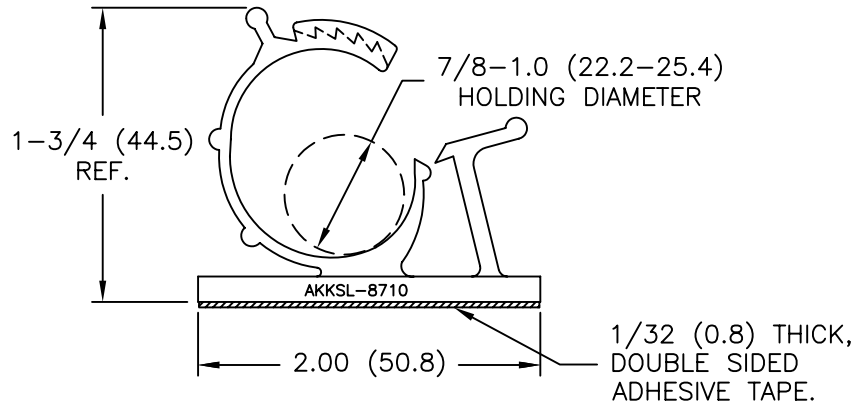


PART NO.	DESCRIPTION
AKKSL-8710-A-RT	W/ ADHESIVE TAPE
AKKSL-8710	WITHOUT TAPE



TYPICAL RELEASE
TAB LOCATION.



NOTES:

1. MATERIAL: NYLON 6/6 (RMS-01).
FLAME RETARDANT, NYLON (RMS-19),
AVAILABLE BY SPECIAL ORDER ONLY.
2. COLOR: NATURAL.
3. ACRYLIC ADHESIVE TAPE (RMS-15),
WHITE LINER.
4. RUBBER ADHESIVE TAPE (RMS-102),
BLUE LINER. AVAILABLE BY SPECIAL
ORDER ONLY. TO ORDER USE
P/N: AKKSL-8710-A1-RT-XX

TITLE: ADJUSTABLE KWIK KLIP, SIDE LOCKS				⊕	▭	DWG IN IN (MM)	QR
TOLERANCES UNLESS NOTED .XX=±.020 .XXX=±.015 FRAC=±1/32 ANG=±1°		FILE # AKKSL	DWN: J.B.	APP:		FINAL	
C		MAT'L: SEE NOTES	DT: 11-13-95	DT:		PART #	
B		RE: RICHCO, INC.	RICHCO INC.		SEE TABLE		PRINT TYPE
A		PO BOX 804238, CHICAGO, 60680				CA	
REV		(773) 539-4060					
DESCRIPTION	ENGR DATE						

C	ADDED NOTE 4	SJ 06.03.02
B	UPDATED PRINT AND ADDED NOTE 3.	SM 03.13.02
A	MAT'L RMS-19 ADDED	J.L. 12.10.97
REV	DESCRIPTION	ENGR DATE